

tezo



KUSCH+CO



The column table. Like no other design, it offers a maximum of legroom, both for seated or standing persons. The tables come in two variations: in a standard height or height-adjustable. Featuring a stable, hard-wearing frame. The table tops are available in many sizes in distinct shapes: round, square or rectangular. Column and cap for base plate are black powder coated, optionally made of high-grade steel. These tables are ideally suited for smaller configurations, e.g. in lobbies, restaurants, hotels or hospitals.



Content

Variations	5
Product data	6
Materials	9
Fire Prevention, quality, sustainability	10
References	11



Design by Kusch+Co Designteam

Under the guidance of Robert de le Roi, the Kusch+Co Designteam creates contract seating series according to the set requirement specifications. These products are characterised by the best possible functionality and a refreshingly new design language. Through the creative input of the entire design team, the outcome is always a joint effort.



EAT & BE HAPPY

streetstyle

klasikmix

Variations

Tezo square / rectangular / round table

These column tables feature square, rectangular and round table tops, available in many sizes. The base plates with matching design aesthetics correspond to the shapes of the rectangular or round table tops. These tables are ideally suited for smaller table configurations, e.g. in lobbies, restaurants, hotels or hospitals.



Tezo square / round table, height adjustable

These column tables feature an incorporated mechanism that makes it possible to adjust the height of the either square or round table tops through a lever directly underneath the table top. The continuous adjustment range goes from 71 to 114 cm. Ideally suited as a multifunctional occasional table for a workplace in office environments: practical extensions of the office desks, a flexible table for short meetings, or the user can switch between a seated and a standing posture during work, which is beneficial to one's health.

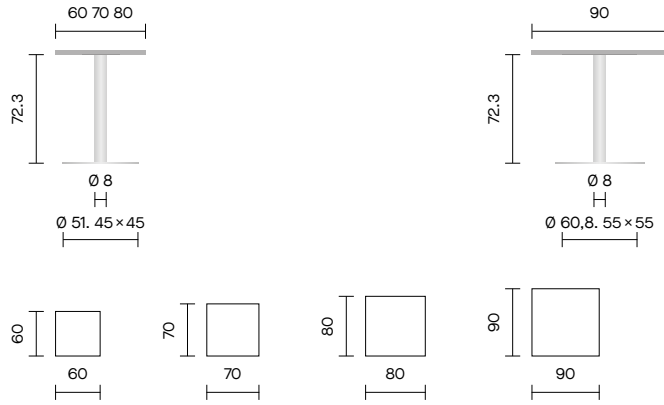


Product data

Tezo square / rectangular / round table

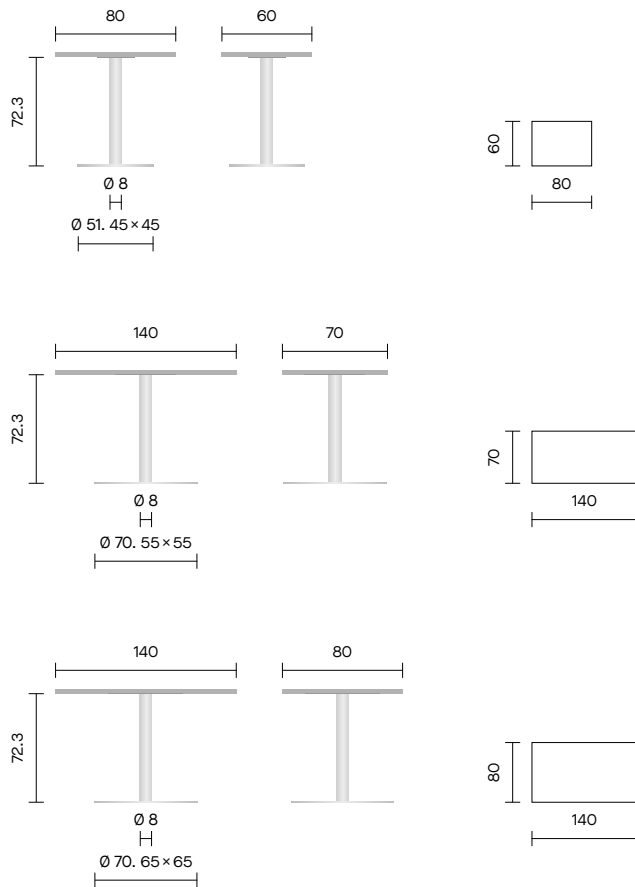
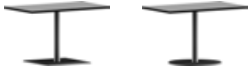
TEZO MEETING TABLE SQ

Square table



TEZO MEETING TABLE RC

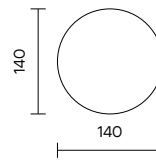
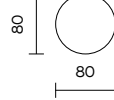
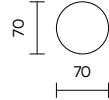
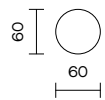
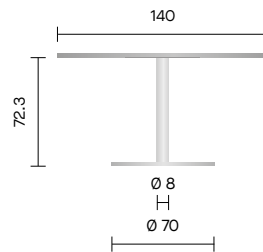
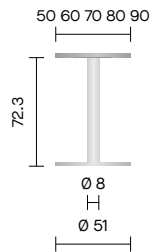
Rectangular table



Tezo square/rectangular/round table

TEZO MEETING TABLE RD

Round table

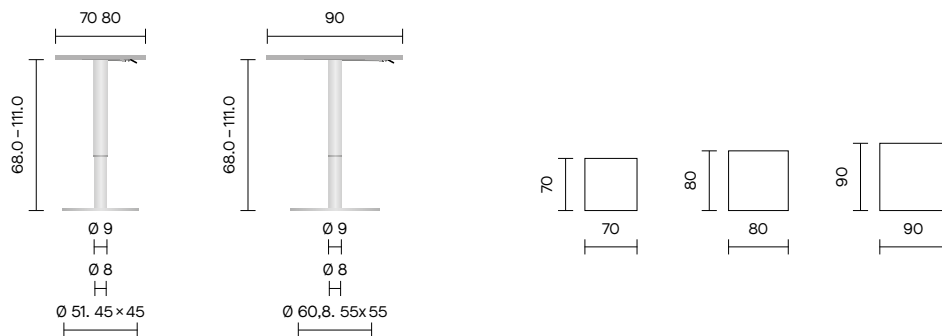


Product data

Tezo square / round table, height adjustable

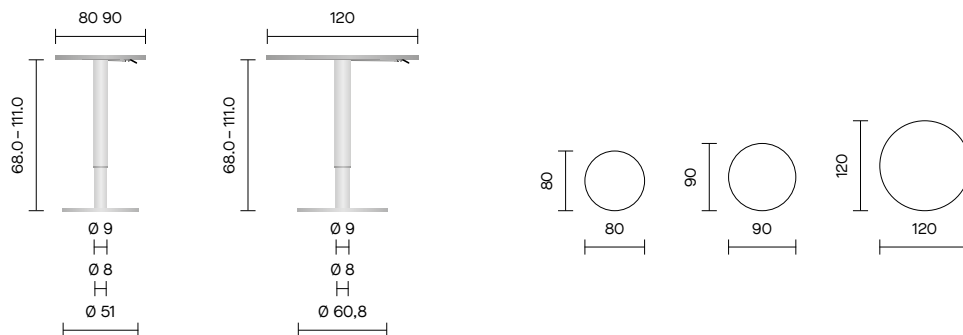
TEZO MEETING TABLE HA SQ

Square table, height adjustable



TEZO MEETING TABLE HA RD

Round table, height adjustable



Accessories

- Plastic glides
- Plastic glides with felt (frame height / vertical clearance under table + 0.5 cm and variable)



Dimensions in cm

Materials

Tezo

Columns, base plates

- Black powder coated steel
- High-grade steel column
- High-grade steel cap for base plate

Type of edge



2 mm
plastic ABS



2 mm
plastic ABS with protective
edge



2 mm
natural wood



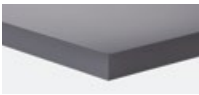
2 mm
natural wood with protective
edge



2 mm
plastic ABS on MDF, 50 mm
chamfered lipping



2 mm
plastic ABS on MDF,
50 mm chamfered lipping
on 2 sides



1 mm
plastic PP



1 mm
plastic PP on MDF, 50 mm
chamfered lipping on 2
sides



Fire Prevention, quality, sustainability

Excerpt

Fire Prevention

Depending on the environment, contract seating has to be able to fulfil very specific requirements. Interior designers and planners sometimes have to clear difficult hurdles: such as exacting fire prevention regulations. Kusch+Co has worked out individual solutions:

Wooden parts

As standard, high-grade wooden veneer finishes and high-grade wooden edges are protected by a UV curing, environmentally harmless, water-based lacquer meeting all the requirements of “low flammability” acc. to DIN EN 13501 B s2 d0.

Table tops

Table tops with a 3-layered chipboard core, and featuring either a HPL or real wood veneer surface are project-related also available in a low flammability finish.

Please contact us if you wish to receive the test reports.

Please contact us to receive further information.

Quality

Our environmental and quality management systems are certified acc. to DIN EN ISO 14001:2015 and to DIN EN ISO 9001:2015. External audits as well as our in-house laboratory safeguard our quality level.

The tables of series Tezo meet the requirements with regard to stability, static and dynamic load as well as strength and durability in compliance with the current European Directives, standards and regulations.

On top of this, we voluntarily test the strength of our table frames with an additional horizontal load test using higher weights and more test cycles.

We are certified in compliance with DIN EN ISO 9001:2015. In our own laboratory, we test our products before their market launch whether they comply with the normative requirements applicable to contract seating, task chairs, and tables, and issue a Declaration of Conformity.

We happily make these Declarations of Conformity as well as our brochure “Mission Statement Quality” providing detailed information on our test procedures available to you – please contact us.

Sustainability

Kusch+Co products stand for long life cycles and optimum recyclability. From the first design drafts of a new product, we take all environmental-relevant components and production processes into consideration, ranging from the materials selection and the design all the way to the manufacturing processes which also contribute towards our sustainable energy balance.



References

Excerpt



Berlin Brandenburg Airport Willy Brandt



← Smokers Lounge
Relax Lounge







